

Staircases and Balconies

Precast concrete ancillary components complement precast and prestressed concrete flooring systems. They may be standard products or purpose made to suit those areas of the building where solid reinforced concrete construction is needed. Precast components by PFF Member Companies are produced under factory conditions by specialist manufacturers.

THE BENEFITS OF PRECAST COMPONENTS

Factory Produced

Precast components are factory produced and stored ready for delivery as required.

Rapid Construction

Precast components are designed and manufactured to suit the building before leaving the factory. Speed of construction reduces risk and cuts costs.

Immediate Access

Precast stairs and landings provide immediate access for following trades, subject to the installation of suitable handrails.

No Formwork or Propping

Expensive formwork and temporary propping are eliminated.

Fire Resistance

Fire resistance up to 4 hours can be provided.

High Load Capacity

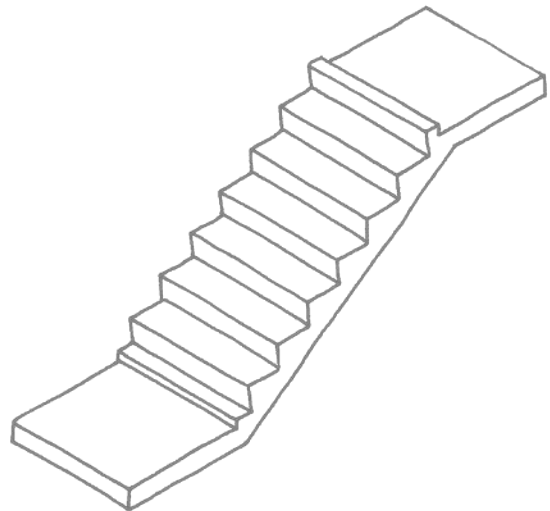
Precast components can carry the heavy imposed loadings on circulation areas in public buildings.

Finishes

Factory production can provide high quality concrete surfaces or a sound base for site applied finishes.

Component Sizes

Precast landings and stair flights are made to suit the client's requirements and to match floor and finishes depths, within the practicalities of transport and erection.



Design

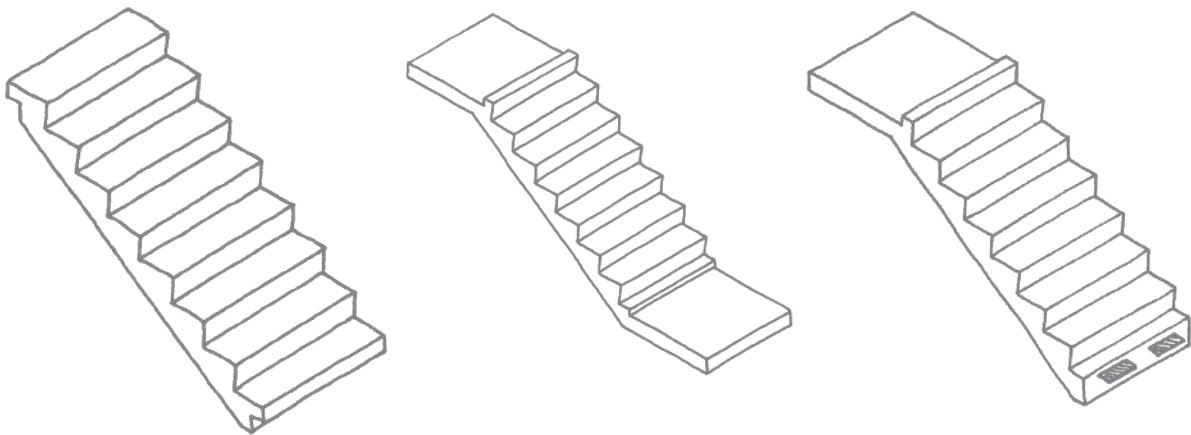
Structural design is in accordance with BS EN 14843 - Precast concrete products: Stairs and the client's loading specification. Stair dimensions will be in accordance with the client's specifications which should usually comply with the requirements of the Building Regulations Approved Documents B, K and M.

Surface Finish

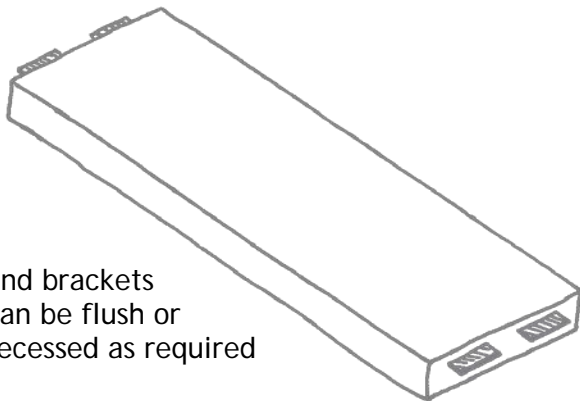
Concrete surfaces are generally cast from high quality timber or steel moulds. One surface, either the top, bottom or one edge (at the manufacturer's discretion), will be trowelled or, in the case of landing slabs, may be left rough to receive a screed.

TYPICAL COMPONENTS

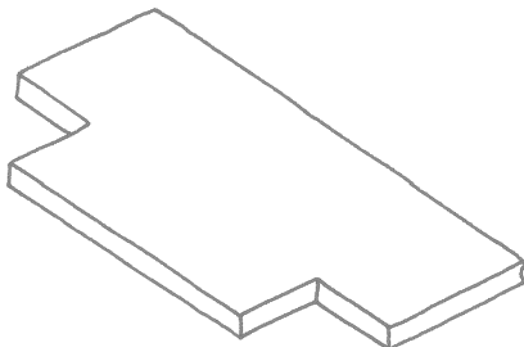
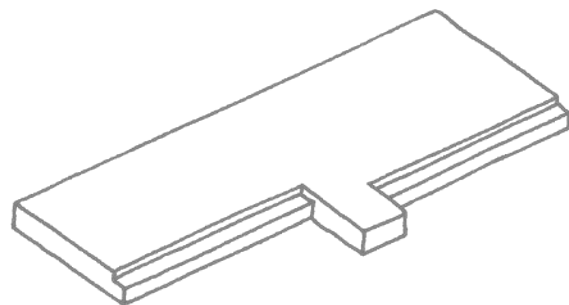
Provision for balustrade fixings can be made as required.



End brackets
can be flush or
recessed as required



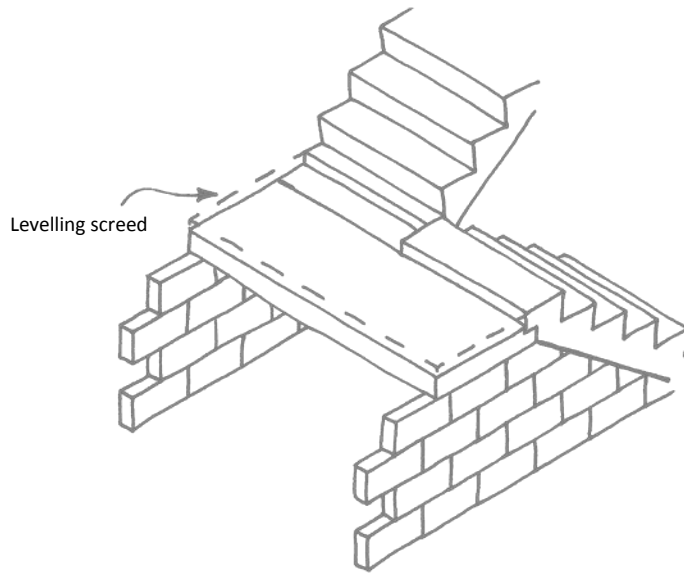
Half landing unit



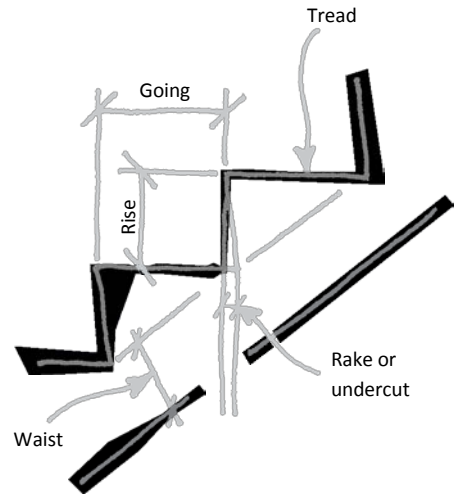
Balcony unit for use where the floor span is
parallel to the outer wall

TYPICAL ARRANGEMENTS

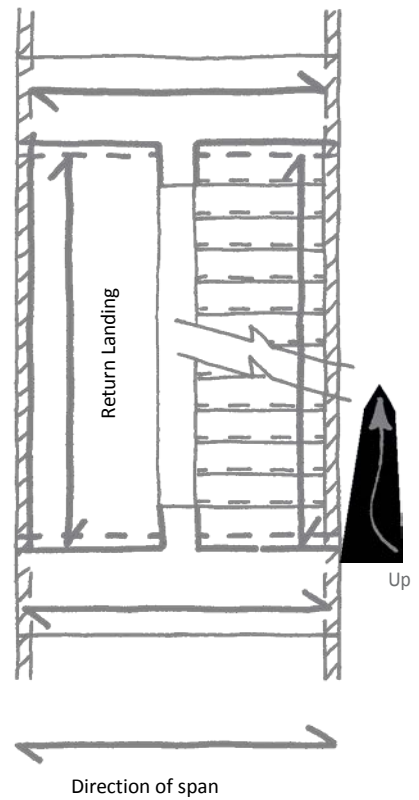
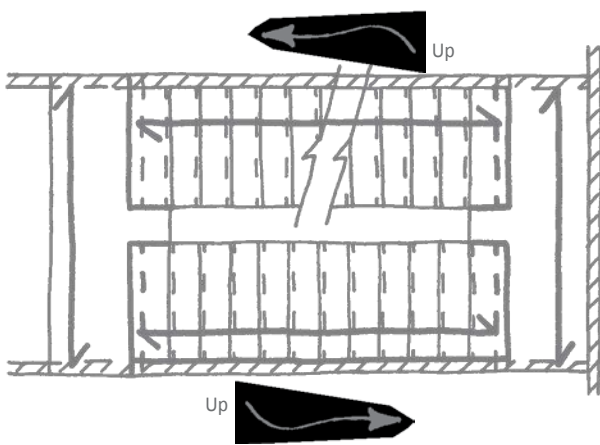
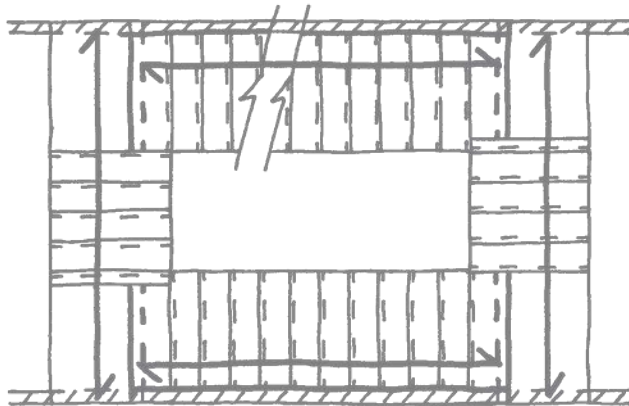
Typical Intermediate Landing



Stair Dimensions

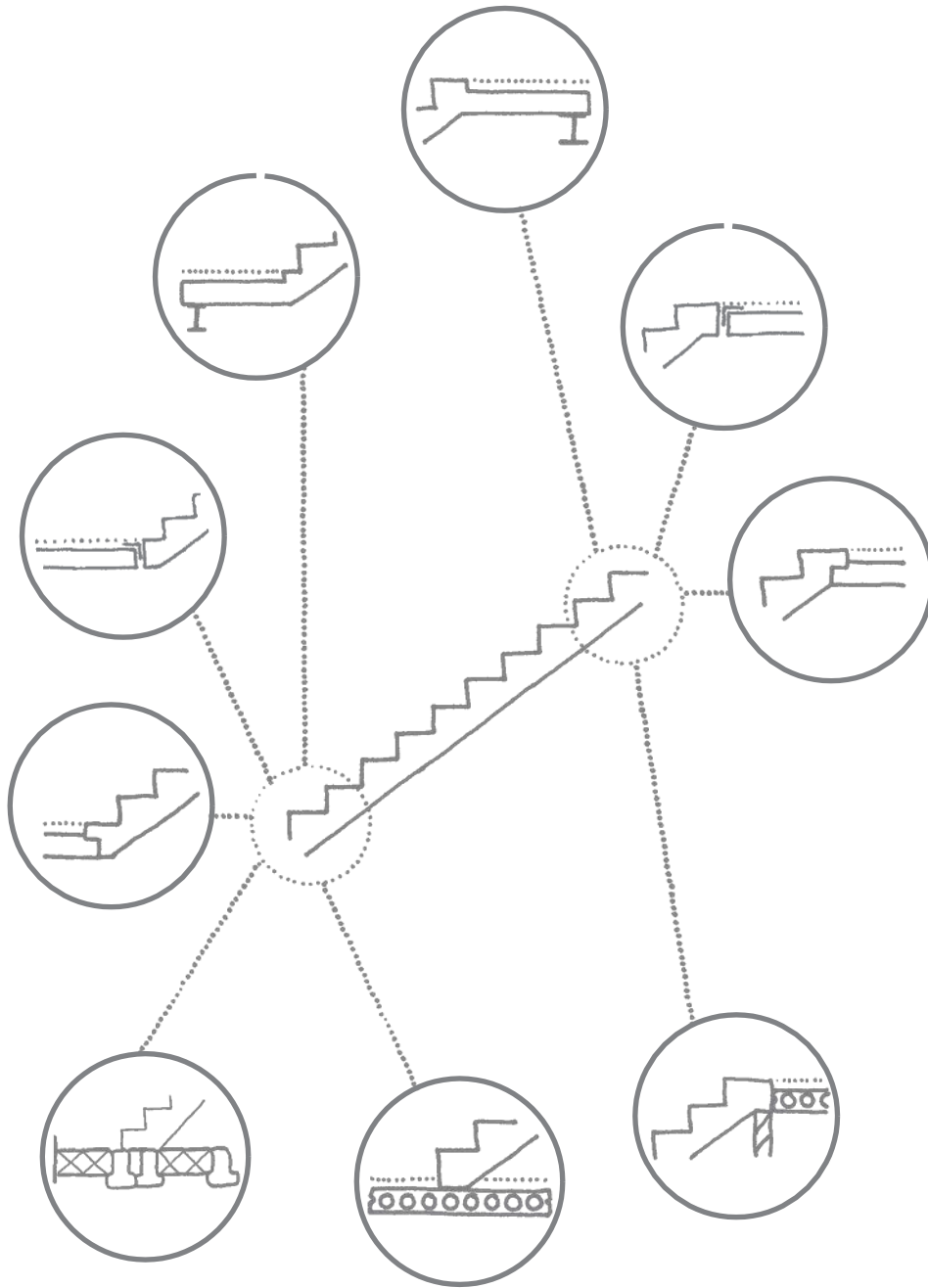


Plan of Stairs



TYPICAL DETAILS

Typical stair flight with choice of end detail



Published with the support of

A product group of British Precast

Working with